
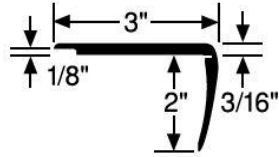
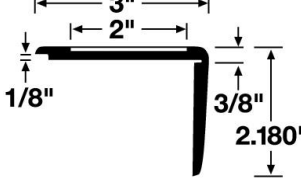
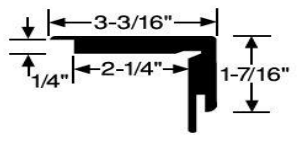
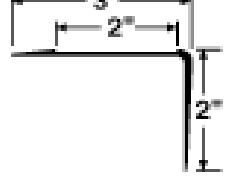


JOHNSONITE SAFE T FIRST NOSING DIAGRAMS

PART NUMBER	PROFILE	DESCRIPTION
PVIRCNN - XX - A Recessed Vinyl Stair Nosing		Nosing undercut for 1/4" to 5/16" carpet. 2" co-extruded strip
PVIRCNN - XX - B Recessed Vinyl Stair Nosing		Heavy duty overlap lip for 1/8" material with lip, 3/16" without lip. 2" co-extruded strip
VIRCNN - XX - B2 Recessed Vinyl Stair Nosing		For 1/8" material 2" tape inert
PVIVCDN - XX Double Undercut Stair Nosing		For 1/4" and 5/16" carpet for step and riser. 2" co-extruded strip.
PVITSNN - XX Top Set Stair Nosing		Top set on bare concrete, wood, steel. 2" co-extruded strip.