



## Finishing Accessories. End well.

Cue the music. Roll the credits. Nothing guarantees a happy ending to a job complete like Johnsonite® Finishing Accessories.



182 T-Mouldings and Track

182 Reducers

Adaptors 182

Slim Line  
Transitions 182

Wheeled Traffic  
Transitions 183

184 Thresholds

184 Chair Rails

184 Cove Filler Strips

184 Cove Caps

Flexible  
Corner Guards 185

Edge Guards 185

185 Feature Strips

185 Tub Mouldings

186 SubFloor  
Leveler System®

186 Tarkolay

## Floor Finishing Accessories. Go with the flow.

Since getting wherever you're going is half the fun, Johnsonite® helps you get there without interruption. Now it's possible to transition from one floor thickness to another with fewer slips and stumbles. Our wide range of smooth, safe and seamless Floor Finishing Accessories takes your efforts from a project completed to a project well done.



### Finishing Accessories

TVOC ≤ 100 µg/m<sup>3</sup>

FloorScore® certified and meets  
CA 01350\*

Phthalate free, except for  
recycled materials

\*Except color palette D

### Recycled Content

Pre-consumer 14%

A part of ReStart® program

adhesives pg. 190

For representation of actual size, enlarge CAD  
drawing 333% on a photocopier.

We've identified Color Foundations™ neutrals  
in the following way: **WB** (warm beige),  
**CB** (cool beige), **WG** (warm grey), **CG** (cool  
grey), **B** (black), **W** (white).



### PALETTE A

For available colors, reference Color Palette A  
in color guide.

# Transition Selector Chart

TRANSITION SELECTOR CHART BY DIMENSION									
For profile drawing and details, see specific accessory categories on pages 182-185.									
Gauge	Subfloor	1/16"	.080"	1/8"	3/16"	1/4"	5/16"	3/8"	1/2"
Subfloor		SSR-XX-B	RRS-XX-B SSR-XX-B SLT-XX-J SLTC-XX-J	SSR-XX-B RRS-XX-C RRS-XX-D SLT-XX-J SLTC-XX-J	EG-XX-J EG-XX-K	CRS-XX-A EG-XX-H CTA-XX-J CTA-XX-JL SLT-XX-L SLTC-XX-L	EG-XX-G EG-XX-L	CRS-XX-B EG-XX-W CTA-XX-P CTA-XX-PL	CRS-XX-D CTA-XX-Q
1/16"	SSR-XX-B						CTA-XX-D		
.080"	RRS-XX-B SSR-XX-B SLT-XX-J SLTC-XX-J		CTA-XX-Y	SLT-XX-B SLTC-XX-B CTA-XX-X SSR-XX-D		SLT-XX-C SLTC-XX-C CTA-XX-HT SLT-XX-H SLTC-XX-H	CTA-XX-D	CTA-XX-Z	
1/8"	SSR-XX-B RRS-XX-C RRS-XX-D SLT-XX-J SLTC-XX-J		SLT-XX-B SLTC-XX-B CTA-XX-X SSR-XX-D	CTA-XX-N FS-XX-DW3		SLT-XX-A SLTC-XX-A CTA-XX-H CTA-XX-HL CTA-XX-A CTA-XX-C CE-XX-A	CTA-XX-D CE-XX-A	CTA-XX-K	CD-XX-B
3/16"	EG-XX-J EG-XX-K								
1/4"	CRS-XX-A EG-XX-H CTA-XX-J CTA-XX-JL SLT-XX-L SLTC-XX-L		SLT-XX-C SLTC-XX-C CTA-XX-HT SLT-XX-H SLTC-XX-H	SLT-XX-A SLTC-XX-A CTA-XX-H CTA-XX-HL CTA-XX-A CTA-XX-C CE-XX-A		CTA-XX-M CD-XX CD-XX-C CD-XX-W	CD-XX CD-XX-C CD-XX-W	CTA-XX-L SLT-XX-F SLTC-XX-F	CE-XX-C SLT-XX-G SLTC-XX-G
5/16"	EG-XX-G EG-XX-L	CTA-XX-D	CTA-XX-D	CTA-XX-D CE-XX-A		CD-XX CD-XX-C CD-XX-W	CD-XX CD-XX-C CD-XX-W	CCA-XX	CWA-XX
3/8"	CRS-XX-B EG-XX-W CTA-XX-P CTA-XX-PL		CTA-XX-Z	CTA-XX-K		CTA-XX-L SLT-XX-F SLTC-XX-F	CCA-XX		CE-XX-C
1/2"	CRS-XX-D CTA-XX-Q			CD-XX-B		CE-XX-C SLT-XX-G SLTC-XX-G	CWA-XX	CE-XX-C	CD-XX-A

## DIMENSIONS BY COLOR

1. Identify thickness of materials to be transitioned.
2. Find the corresponding color to match the thicknesses.
3. Find your colors together on the chart.

0 = 0"      1/16" = 1/16"

.080" = .080"      1/8" = 1/8"

3/16" = 3/16"      1/4" = 1/4"

5/16" = 5/16"      3/8" = 3/8"

1/2" = 1/2"

Example: 1/4" 1/4" material to 1/8" 1/8" material.

Can't find a transition to meet your needs? Call your Johnsonite® representative and ask about getting a custom floor finishing accessory made for you. New accessories are added periodically, please visit [tarketna.com](http://tarketna.com) for the latest additions.

## Stairwell Finishing Accessories. Stay steady.

Achieving happy and healthy environments absolutely includes safety features. Proper stairwell design is crucial to the functionality of a space, as well as the people existing within it. At Johnsonite, we believe minimizing fall risk also maximizes the performance of your floors. Which is why our components – from nosings to treads to striping solutions – are designed to reduce slip/fall accidents and do so seamlessly with all the other elements in the space.

See page 151 for details.





FLOOR FINISHING ACCESSORIES CONTINUED

T-MOULDINGS

<b>CE-XX-A</b> 1/4" and 5/16" to 1/8" material. 1/4" leg.		1/4 5/16	1/8
<b>CE-XX-C</b> 1/2" to 1/4" and 3/8" material. 1/2" leg.		1/2	1/4 3/8
<b>CD-XX</b> 1/4" and 5/16" to material of same height. 1/4" leg.		1/4 5/16	1/4 5/16
<b>CD-XX-A</b> 1/2" to material of same height. 1/2" leg.		1/2	1/2
<b>CD-XX-B</b> 1/2" to 1/8" material. 1/2" leg.		1/2	1/8
<b>CD-XX-C</b> 1/4" and 5/16" to material of same height. 1/4" leg.		1/4 5/16	1/4 5/16
<b>CD-XX-W</b> 1/4" and 5/16" to material of same height. 1/4" leg.		1/4 5/16	1/4 5/16

TRACK FOR T-MOULDINGS

<b>CDB-00-A</b> Rigid Vinyl  Pinless for adhesive installations. Neutral color only.		11/32"
<b>MT-00-A</b>  Aluminum pinless for adhesive installations.		21/64"
<b>MTC-00-A</b>  Aluminum contour track for adhesive installations. 6' minimum radius.		21/64"
<b>MT-00-B</b>  Aluminum pin type for stretch-in installations.		21/64"
<b>MTC-00-B</b>  Aluminum pin type contour track for stretch-in installations. 6' minimum radius.		21/64"

REDUCERS

<b>CRS-XX-A</b> 1/4" material to floor.		1/4	0
<b>CRS-XX-B</b> 3/8" material to floor.		3/8	0
<b>CRS-XX-D</b> 1/2" material to floor.		1/2	0
<b>SSR-XX-B</b> 35' roll  1/16" or 1/8" material to floor.		1/16 .080 1/8	0
<b>SSR-XX-D</b>  1/8" to .080" material.		1/8	.080
<b>RRS-XX-B</b> 3' pieces  .080" material to floor.		.080	0
<b>RRS-XX-C</b> 3' pieces  1/8" material to floor.		1/8	0
<b>RRS-XX-D</b> 25' roll  1/8" material to floor.		1/8	0

ADAPTORS

<b>CTA-XX-A</b>  1/4" to 1/8" material.		1/4	1/8
<b>CTA-XX-C</b>  1/4" to 1/8" material.		1/4	1/8
<b>CTA-XX-D</b>  5/16" to 1/16" or 1/8" material.		5/16 1/16 1/8	1/16 .080 1/8
<b>CCA-XX</b>  5/16" to 3/8" material.		5/16	3/8
<b>CWA-XX</b>  5/16" to 1/2" material.		5/16	1/2



SLIM LINE TRANSITIONS

<b>SLT-XX-A</b> <b>SLTC-XX-A*</b>  1/4" to 1/8" material.		1/4	1/8
<b>SLT-XX-B</b> <b>SLTC-XX-B*</b>  .080" to 1/8" material.		.080	1/8
<b>SLT-XX-C</b> <b>SLTC-XX-C*</b>  .080" to 1/4" material.		.080	1/4
<b>SLT-XX-F</b> <b>SLTC-XX-F*</b>  1/4" to 3/8" material.		1/4	3/8
<b>SLT-XX-G</b> <b>SLTC-XX-G*</b>  1/4" to 1/2" material.		1/4	1/2
<b>SLT-XX-H</b> <b>SLTC-XX-H*</b>  1/4" to .080" material.		1/4	.080
<b>SLT-XX-J†</b> <b>SLTC-XX-J†</b>  .080" or 1/8" material to subfloor.		.080	0
<b>SLT-XX-L†</b> <b>SLTC-XX-L†</b>  1/4" material to subfloor.		1/4	0

\*Slim line transitions available for materials with a contour edge. Contour image is for demonstration purposes only and is not to scale.

Slim Line Transitions are also available in metallic colors 65 Coronado, 66 Ether Ore, 67 Old Gold, 69 Sterling Silver CG, 77 White Pearl W, 82 Black Pearl B, 176 Brass WB, 177 Copper, 178 Ironstone CG, 179 Steel WG.

† Only available in metallic colors. See color guide for metallic colors.

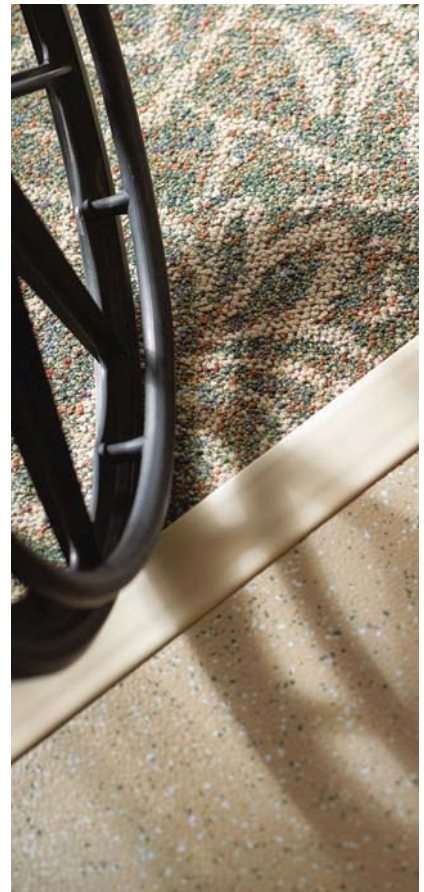
PALETTE A

For available colors, reference Color Palette A in color guide.

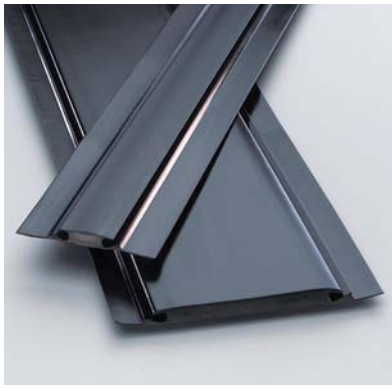
WHEELED TRAFFIC TRANSITIONS

<p><b>CTA-XX-H</b>                      ✦ Patented                      1/4" to 1/8" material.</p>	<p><b>CTA-XX-M</b>                      1/4" to 1/4" material.</p>
<p><b>CTA-XX-HL</b>                      ✦ Patented                      1/4" to 1/8" material.</p>	<p><b>CTA-XX-N</b>                      1/8" to 1/8" material.</p>
<p><b>CTA-XX-HT</b>                      ✦ Patented                      1/4" to .080" or 2 mm material.</p>	<p><b>CTA-XX-P</b>                      3/8" material to subfloor.</p>
<p><b>CTA-XX-J</b>                      1/4" material to subfloor.</p>	<p><b>CTA-XX-PL</b>                      3/8" material to subfloor.</p>
<p><b>CTA-XX-JL</b>                      1/4" material to subfloor.</p>	<p><b>CTA-XX-Q</b>                      1/2" material to subfloor.</p>
<p><b>CTA-XX-K</b>                      ✦ Patented                      3/8" to 1/8" material.</p>	<p><b>CTA-XX-X</b>                      ✦ Patented                      1/8" to .080" material.</p>
<p><b>CTA-XX-L</b>                      ✦ Patented                      3/8" to 1/4" material.</p>	<p><b>CTA-XX-Y</b>                      .080" to .080" material.</p>
<p><b>CTA-XX-Z</b>                      ✦ Patented                      3/8" to .080" material.</p>	<p><b>CTA-XX-Z</b>                      ✦ Patented                      3/8" to .080" material.</p>

✦ U.S. Patent No. 5,581,967 ✦ U.S. Patent No. 561,916 ✦ U.S. Patent No. 562,466



FLOOR FINISHING ACCESSORIES CONTINUED



THRESHOLDS	
<p><b>VT-XX-M2</b> 3' pieces</p> <p>5-1/2" exposed surface threshold for stretch-in or adhered carpet and ceramic.</p>	
<p><b>VT-XX-M6</b> 3' pieces</p> <p>1-3/4" exposed surface threshold for stretch-in or adhered carpet and ceramic.</p>	

CHAIR RAILS *		
<p><b>FORTIS® CHR-XX ♦</b> ♦ PATENTED</p> <p>8' pieces</p>	<p><b>BASTION® CHR-XX-B ♦</b> ♦ PATENTED</p> <p>8' pieces</p>	<p><b>RAMPART® CHR-XX-C ♦</b> ♦ PATENTED</p> <p>8' pieces</p>



See page 163 of Finishing Borders section for more details.

See Color Guide for Selects Color Palette.  
 ♦ U.S. Patent No. D491,283    ♦ U.S. Patent No. D500,869    ♦ U.S. Patent No. D499,818



COVE FILLER STRIPS	
<p><b>CFS-00</b></p> <p>1-3/4" radius.</p>	
<p><b>CFS-00-A</b></p> <p>1-1/4" radius.</p>	
<p><b>CFS-00-M</b></p> <p>5' pieces</p> <p>1" radius.</p>	

Due to the use of pre-consumer recycled content, color of cove filler strips will vary.

COVE CAPS			
<p><b>SCC-XX-A**</b></p> <p>For 1/8" materials.</p> <p>1/8</p>	<p><b>CCC-XX-B</b></p> <p>9/32" inside dimension.</p> <p>9/32</p>	<p><b>SCC-XX-B**</b></p> <p>For 1/8" materials.</p> <p>1/8</p>	<p><b>CCC-XX-C**</b></p> <p>For 1/4" materials.</p> <p>1/4</p>
<p><b>CCC-XX-A**</b></p> <p>For 1/4" or 5/16" materials.</p> <p>1/4 5/16</p>	<p><b>SCC-XX-D</b> with self-stick tape</p> <p>For .080" materials.</p> <p>.080</p>		

\*\*Also available in metallic colors. See color guide for metallic colors.



## FLEXIBLE CORNER GUARDS

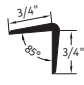
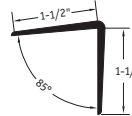
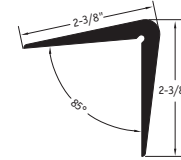
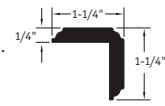
Johnsonite's corner guards will not only complement the interior space, but also work to protect your finished design.

- Will not shrink, crack or chip
- Four return sizes: 2-3/8"; 1-1/2"; 3/4" and 1-1/4"

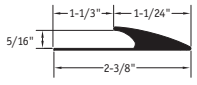
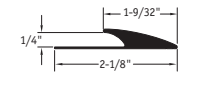
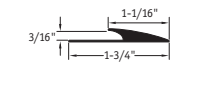
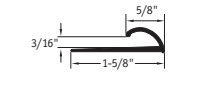
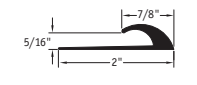




For representation of actual size, enlarge CAD drawing 333% on a photocopier.


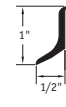
adhesives pg. 190

FLEXIBLE VINYL CORNER GUARDS			
<p><b>VBG-XX-B-48</b> <b>VBG-XX-B-96</b> 4' or 8' pieces</p> <p>Corner guard. 3/4" returns. 1/8" thick. Tapered ends.</p> 	<p><b>VBG-XX-A-48</b> <b>VBG-XX-A-96</b> 4' or 8' pieces</p> <p>Corner guard. 1-1/2" returns. 1/8" thick. Tapered ends.</p> 	<p><b>VBG-XX-48</b> <b>VBG-XX-96</b> 4' or 8' pieces</p> <p>Corner guard. 2-3/8" returns. 1/8" thick. Tapered ends.</p> 	<p><b>VBG-XX-C</b> ♦ 8' pieces</p> <p>Millwork® profile corner guard. 1-1/4" returns. 1/4" thick.</p> 

♦ Chair Rails and VBG-XX-C are only available in Selects Color Palette.

EDGE GUARDS	
<p><b>EG-XX-G</b></p> <p>5/16" material to floor.</p>  <p>5/16 0</p>	
<p><b>EG-XX-H</b></p> <p>1/4" material to floor.</p>  <p>1/4 0</p>	
<p><b>EG-XX-J</b></p> <p>3/16" material to floor.</p>  <p>3/16 0</p>	
<p><b>EG-XX-K</b></p> <p>3/16" material to floor.</p>  <p>3/16 0</p>	
<p><b>EG-XX-L</b></p> <p>5/16" material to floor.</p>  <p>5/16 0</p>	
<p><b>EG-XX-W</b></p> <p>3/8" material to floor.</p>  <p>3/8 0</p>	

FEATURE STRIPS	
<p><b>FS-XX-DW3</b></p> <p>50' roll</p> <p>1" wide feature strip for 1/8" material.</p>  <p>1/8 1/8</p>	

TUB MOULDINGS	
<p><b>TM-50*</b></p> <p>5' pieces (self-stick)</p> <p>Luster finish cove for bathtub, counter and shelves. 1-1/2" height.</p> 	
<p><b>TM-50-A*</b></p> <p>5' pieces (self-stick)</p> <p>Luster finish cove for bathtub, counter and shelves. 1" height.</p> 	

\* Available in 50 White W only.

## PALETTE A

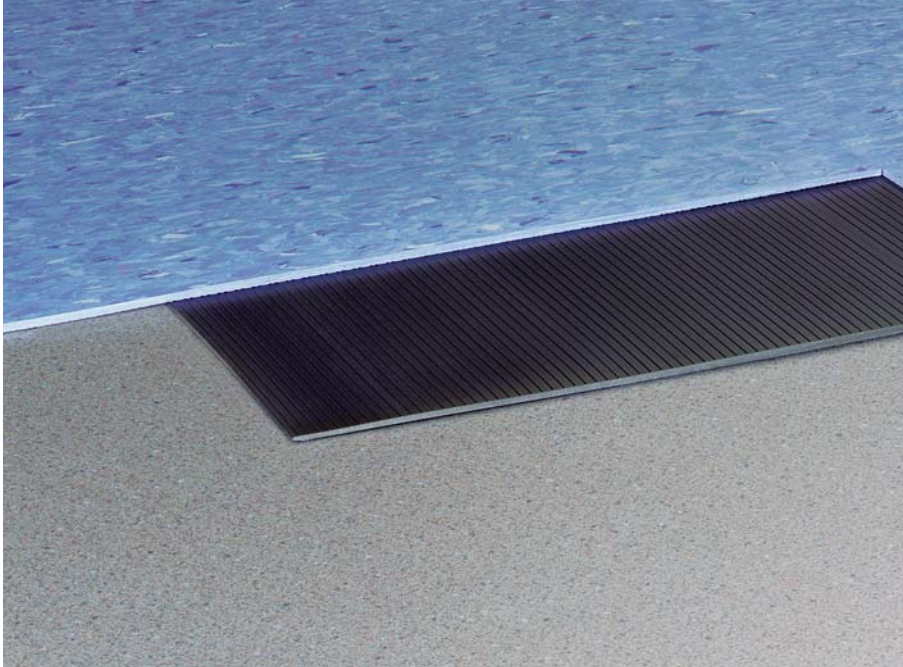
For available colors, reference Color Palette A in color guide.



## SubFloor Leveler System.<sup>®</sup> U.S. Patent No. 7,174,682

### Ramp it up.

There's always a "get ready" and "get set" that come before go. That's where our patented SubFloor Leveler System<sup>®</sup> comes into play. This system provides a gradual ramp for a smooth transition between different flooring elevations, eliminating abrupt changes that tend to cause trips and falls. With easy installation plus minimal man-hours and curing times, everyone can get to where they're going swiftly and safely.



### SubFloor Leveler System

- Available in 4' sections
- Custom lengths available by special order
- Quickly provides a smooth, uniform, ADA-compliant transition
- No waiting for leveling compounds to cure
- Immediately accepts new flooring over it
- Installs over concrete, wood, terrazzo, ceramic and steel subfloors
- Will not crack or crumble over time

.....  
adhesives pg. 190

### CORNER MITER OPTION



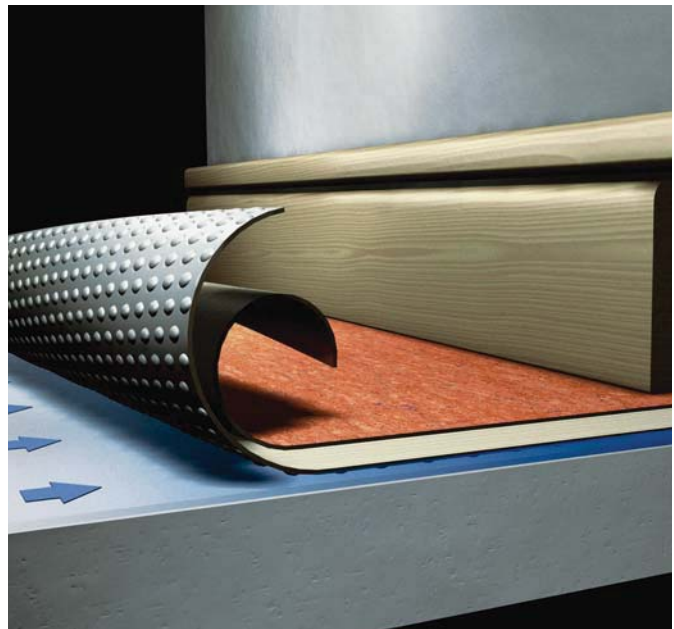
*Pieces can be cut and fit together to form mitered corners to transition evenly from all sides.*

### UNDERLAYMENT

## Tarkolay Underlayment.

### Breathe easy.

So long, subpar subfloor. Tarkolay is taking over. When flooring, moisture and substrates react, it can cause unhealthy air quality. Worry-free Tarkolay is a thin underlay that installs immediately over areas where moisture, abatement or other problems exist. Tarkolay provides natural ventilation between the flooring and subfloor and can resist moisture levels as high as 96% RH. So the flooring and the people working, playing, living and learning within the space can breathe easier.



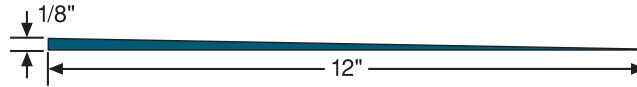


SUBFLOOR LEVELER SYSTEM\* COMPONENTS (BLACK ONLY)

**LS-40-F**

4' pieces

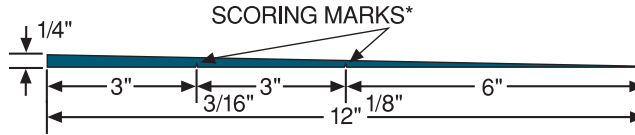
Reduces 1/8" to 0"



**LS-40**

4' pieces

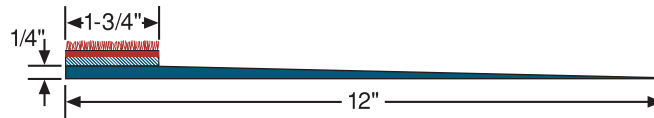
Reduces 1/4" to 0". Can be cut at score line to reduce height as indicated.



**LS-40-K**

4' pieces

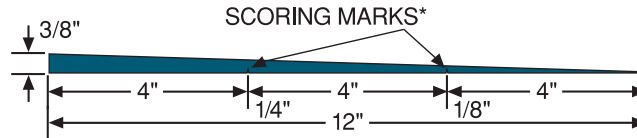
Reduces 1/4" to 0". Levelled edge for tack strip installation.



**LS-40-D**

4' pieces

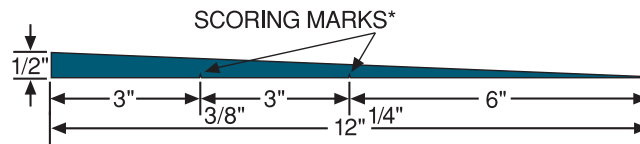
Reduces 3/8" to 0". Can be cut at score line to reduce height as indicated.



**LS-40-E**

4' pieces

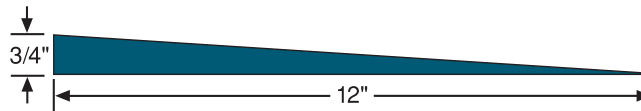
Reduces 1/2" to 0". Can be cut at score line to reduce height as indicated.



**LS-40-G**

4' pieces

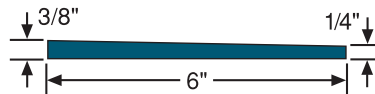
Reduces 3/4" to 0"



**LS-40-B**

4' pieces

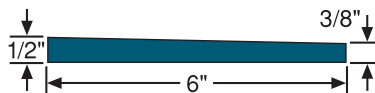
Reduces 3/8" to 1/4". Can be used alone or with LS-40 to extend transition.



**LS-40-C**

4' pieces

Reduces 1/2" to 3/8". Can be used alone or with LS-40-D or LS-40-B to extend transition.



\*The LS-40, LS-40-D and LS-40-E Leveler System Components can be cut at specially premarked scoring lines to create lower transitions for 1/8", 3/16", 1/4" or 3/8" gauge heights if needed, or can be cut to create job-specific heights. All SubFloor Leveler System\* Components are 4' long or can be special ordered in other lengths.